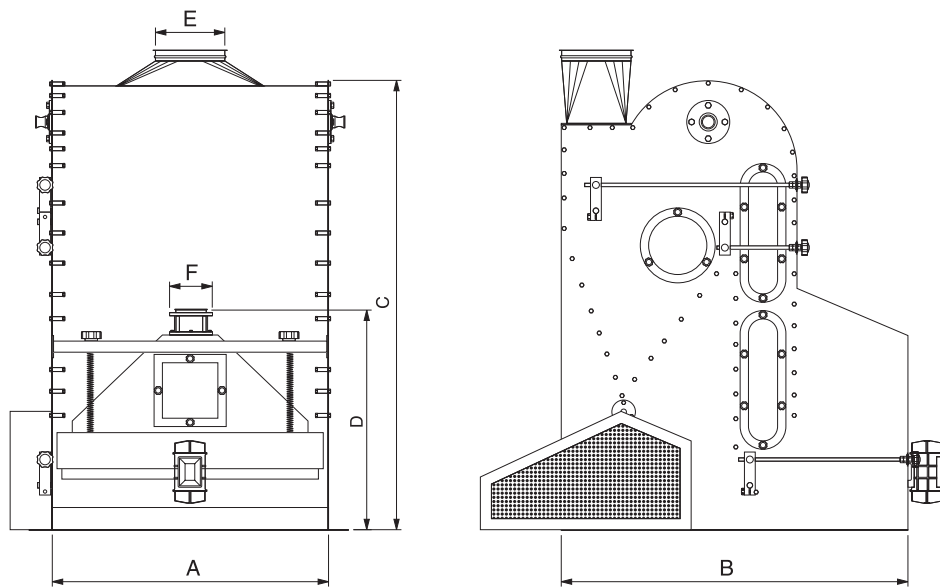


WORKING PRINCIPLES

Machine is used for separate low density materials such as dust, glume, weak grain; from the heavy density grains by vibration and aspiration.





Type	Technical Features			Dimensions(mm)						Weight (kg)
	Capacity (t/h)	Power (kw)	Volume(m ³)	A	B	C	D	E	F	
GVT 100	12-14	3.3	3	1000	1230	1412	740	250	120	415