

Vertical Washing With Drying

GDKY

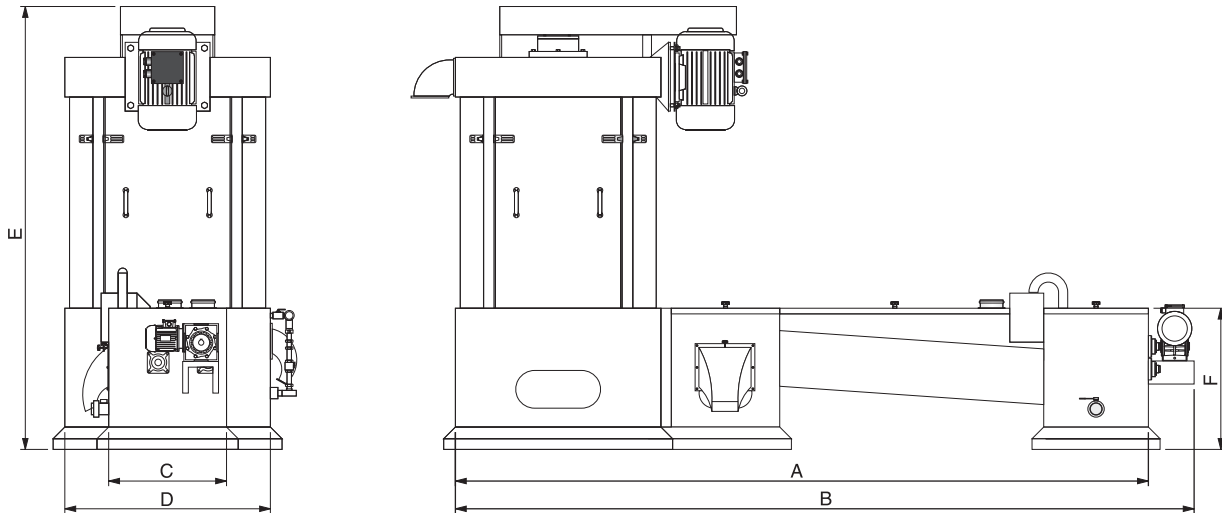
Gmach

Excellent Milling Properties...

WORKING PRINCIPLES

It used for clean of dust particles which sticked on grain and little stones by water, and it is used also increase the humidity rate of grain.





Type	Technical Features				Dimensions (mm)						Weight (kg)
	Capacity (t/h)	Power (kW)		Volume (m ³)	A	B	C	ØD	E	F	
		Drying	Washing								
GDKY 6	3 - 3.5	7.5	0.75	4.2	2860	3840	550	930	2220	530	1325
GDKY-C 6											
GDKY 8	6 - 7	11	1.1	5.3	3675	4280	625	1100	2240	650	1725
GDKY-C 8											
GDKY 12	12 - 14	15	1.5	6.3	3690	4400	650	1250	2300	650	1875
GDKY-C 12											