

Horizontal Scourer

GKS



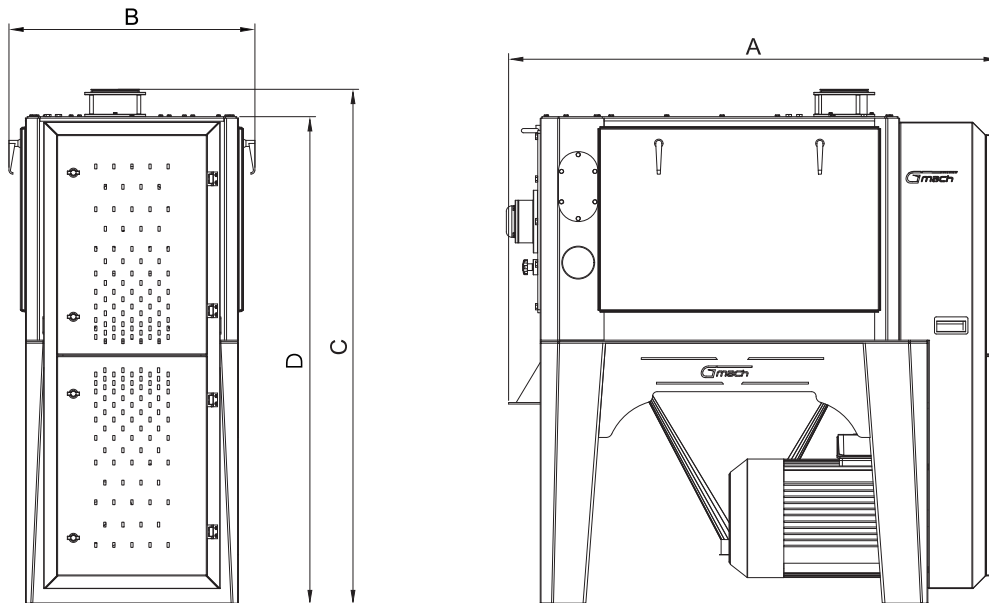
Excellent Milling Properties...

WORKING PRINCIPLES

Horizontal scourer is used to clean up dust, sand and glume particles which stuck on wheat.



Product Data Sheet



Type	Technical Features			Dimensions (mm)				Weight (kg)
	Capacity (t/h)	Power (kw)	Volume (m ³)	A	B	C	D	
GKS 30/60	6-8	5.5	1.3	1260	675	1510	1455	490
	8-10	7.5						550
	10-12	11						650
	12-15	15						710
GKS 45/80	15-20	15	1.7	1610	810	1695	1605	1040
	20 - 25	18.5-22						1100