

# Grain Separator

GCS

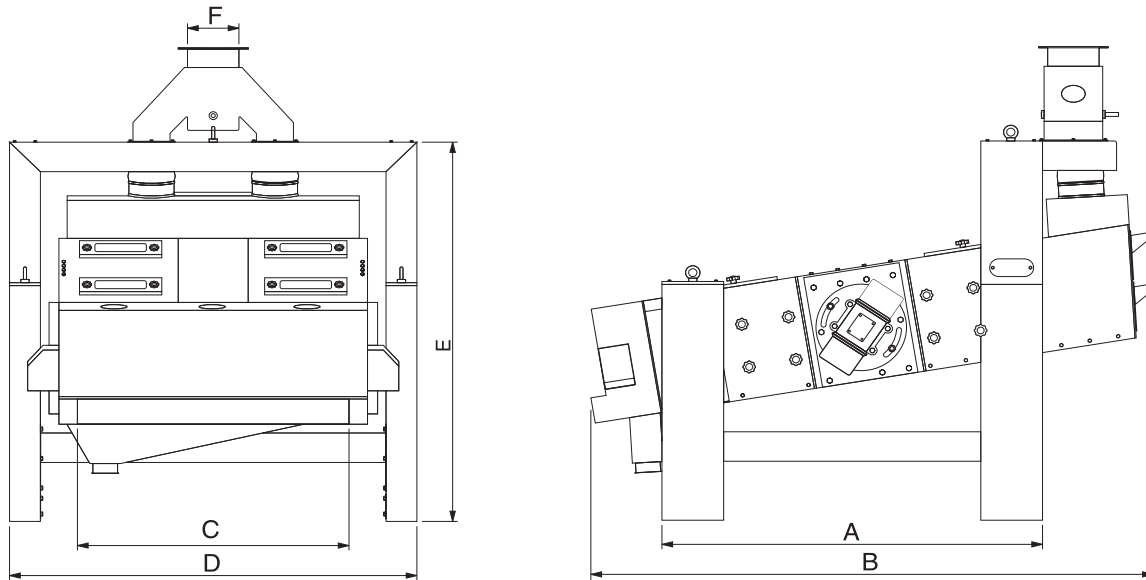


*Excellent Milling Properties...*

## WORKING PRINCIPLES

Separator is used to separate the products by their size and cleans wheat to bigger and smaller things in grain by vibration. Thanks to this vibration, wheat flows and clean up by sifting. Sieves size and types are changeable according to product type.





Type	Technical Features			Sieve Dimensions (mm)	Dimensions (mm)						Weight (kg)
	Capacity (t/h)		Power (kw)	Width x Length	A	B	C	D	E	F	
	*Pre-Cleaning	*Cleaning									
GCS 80/160	15-20	6-8	2 x 0.35 (Vibro)	2 x 790 x 1590	1210	2050	800	1140	1450	120	550
GCS 100 /150	16-22	7-9	2 x 0.35 (Vibro)	2 x 990 x 1490	1200	1890	1000	1340	1450	120	500
GCS 100/200	25-30	10-12	2 x 0.75 (Vibro)	2 x 990 x 1990	1610	2300	1000	1340	1450	120	650
GCS 150/200	40-50	16-18	2 x 0.75 (Vibro)	2 x 1490 x 1990	1850	2650	1500	1980	2410	250	1300

\* Capacity has given as per 2 to 3 % impurity and maximum %13 humidity.  
 \* Capacity for corn (maize) 90%  
 \* Capacity for barley 80%