

Dry Stoner GTA



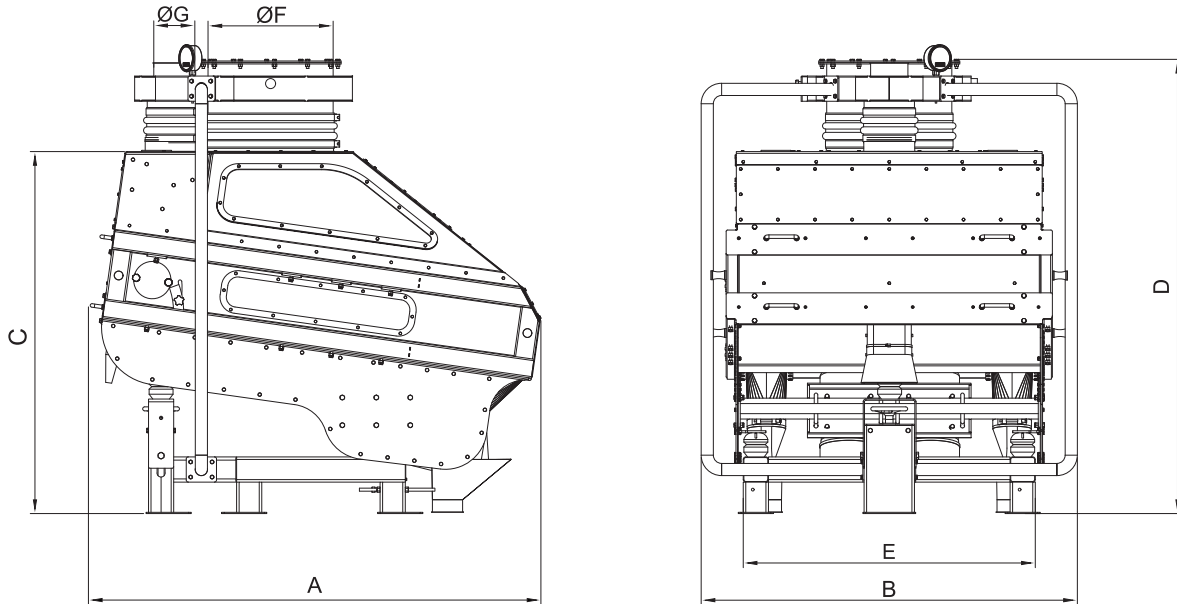
Excellent Milling Properties...

WORKING PRINCIPLES

Dry Stoner is used for separate high density things from grain such as glass, stone etc. Thanks to air aspiration of inside of machine, product flows on sieve and high density things moves opposite way of product by vibration.



Product Data Sheet



Type	Technical Features					Sieve Dimensions (mm)	Dimensions (mm)							Weight (kg)
	Capacity (t/h)	Volume (m ³)	Air Required (m ³ /min)	Negative Air Pressure (mbar)	Power (kW)	Width x Length	A	B	C	D	E	F	G	
GTA 60/120	6-8	3	90	12	2 x 0.35 (Vibro)	650 x 1200	1790	1075	1430	1780	1075	350	120	425
GTA 120/120	12 - 14	4.8	120	12	2 x 0.35 (Vibro)	1200 x 1200		1495	1440	1800	1160	500	150	710
GTA 120/180	16 - 20	6.2	150	12	2 x 0.35 (Vibro)	1200 x 1800		2190	1600	1960	1760	550	200	1100