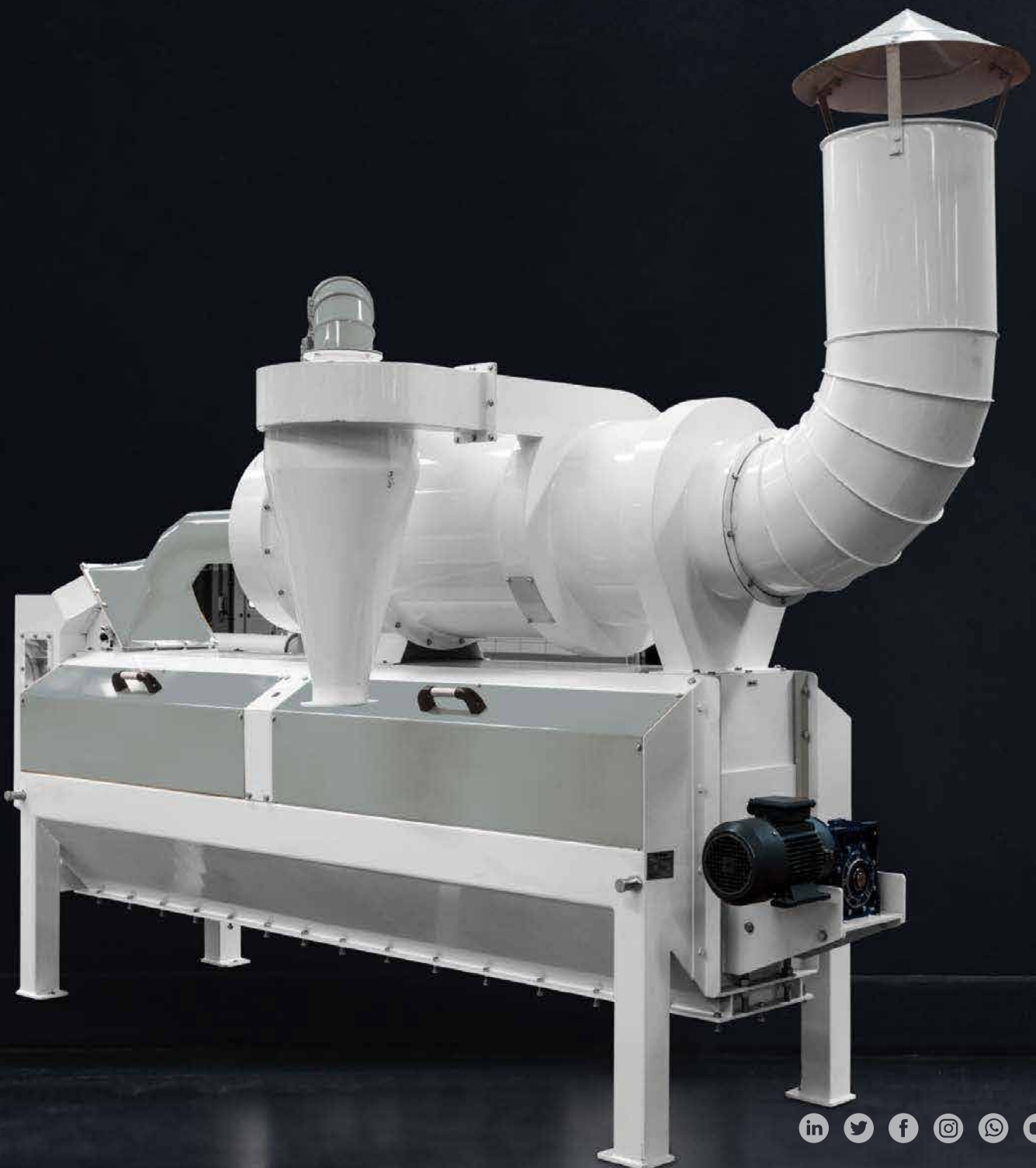
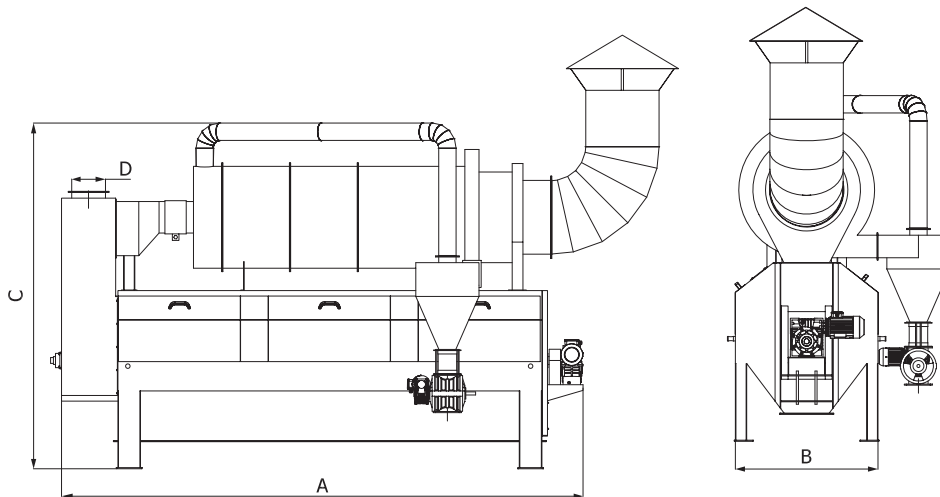


WORKING PRINCIPLES

It is used for pre-cleaning operations of grains before the storages in harvest time.



Product Data Sheet



Type	Technical Features			Dimensions(mm)					Weight (kg)
	Capacity (t/h)		Power (kw)	A	B	C	D	E	
	*Pre-Cleaning	*Cleaning							
GTME 60/200	60	30	0.75	2650	865	2030	150	600	600
			2.2						
			3						
GTME 60/240	150	80	0.75	3050	865	2030	200	700	700
			3						
			3						
GTME 60/300	250	120	0.75	3650	865	2030	250	800	800
			3						
			4						
GTME 90/240	150	80	0.75	4050	1250	2040	250	900	900
			4						
			4						
GTME 90/360	250	120	0.75	5280	1250	2040	300	1000	1000
			4						
			5.5						