

Flour Distributor

GDV

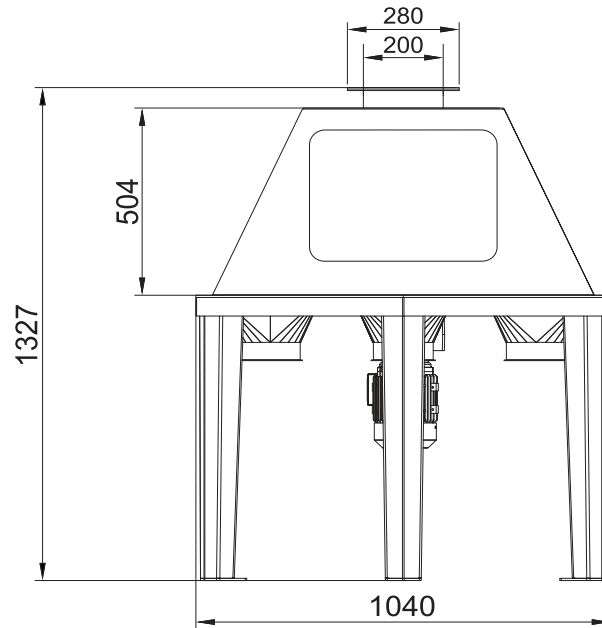


Excellent Milling Properties...

WORKING PRINCIPLES

It is used to distribute product to control sifter regularly.





Type	Technical Features			2 outlet	3 outlet	4 outlet	6 outlet	8 outlet
	Power (kW)	Rpm	Weight (kg)					
GDV 02	0.55	56	125	200	200	200	240	240
GDV 04	0.55	56	140	500	500	500	500	500
	0.55	50	140	505	505	505	505	505
GDV 06	0.75	56	160	1320	1320	1320	1320	1320
	0.55	50	140	1200	1200	1200	1200	1200
GDV 08	1.1	56	175	320	500	520	1435	1200
	0.55	50	140	320	500	520	1435	1200