

Ecluse GTE

Gmach

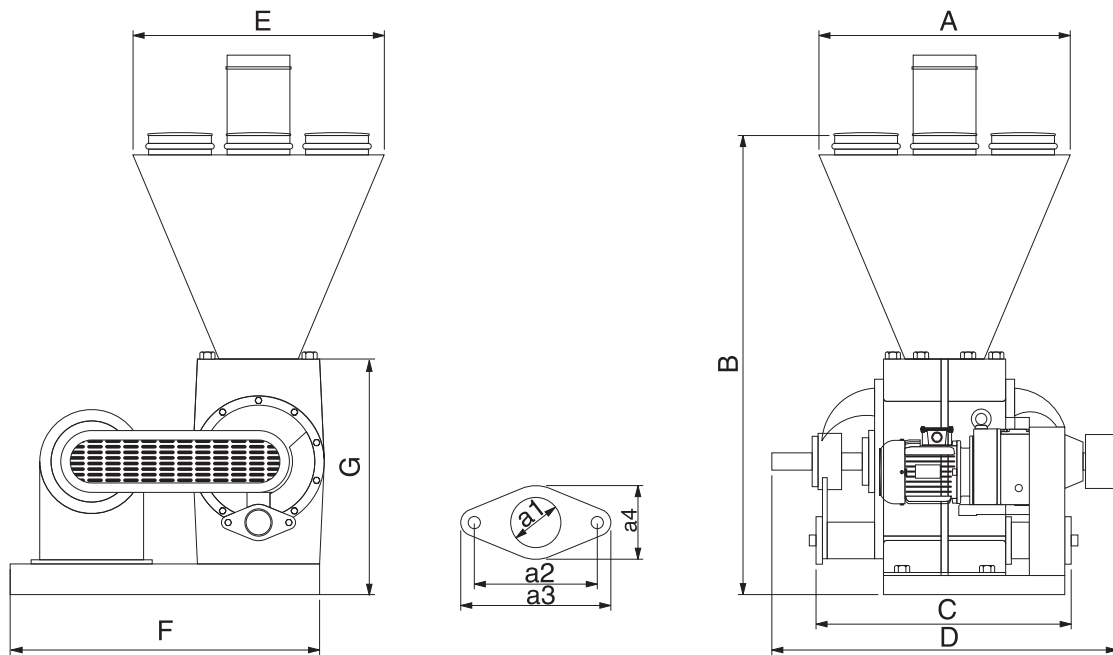
Excellent Milling Properties...

WORKING PRINCIPLES

Ecluse is used to transport of product by combined it with air.



Product Data Sheet



Type	Technical Features			Power (kW)	Dimensions (mm)										Weight (kg)	
	Capacity (t/h)				A	B	C	D	E	F	G	a1	a2	a3		a4
	Wheat	Flour	Bran													
GTE 200	3.2	2.2	1.5	0.55	470	800	420	560	470	630	420	57	110	140	80	90
GTE 250	8	5.5	3	0.75	560	810	570	720	560	670	450	70	135	166	100	425
GTE 320	18	12.5	6.5	0.75	660	900	620	760	660	750	540	100	160	210	132	300
GTE 450	40	28	16	1.1	800	1000	650	880	550	360	550	120	195	245	150	645
GTE 500	72	50	28	1.5	900	1275	700	1000	700	400	716	175	233	267	267	450