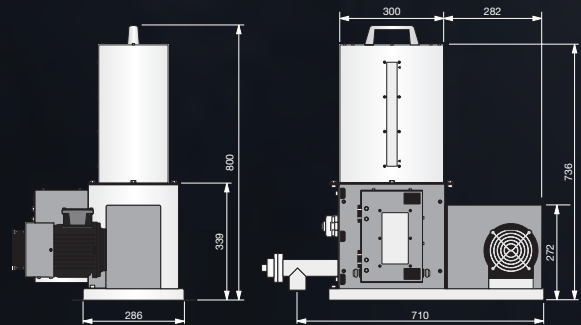


Dosage Machine (Speed Controlled)



WORKING PRINCIPLES

Dosage Machine is used to add enzyme, vitamin, mineral into the product with sensitive speed control.



Macro Dosage



WORKING PRINCIPLES

It is used for adding any type of product to the system. It has high capacity with dust-free operation.

