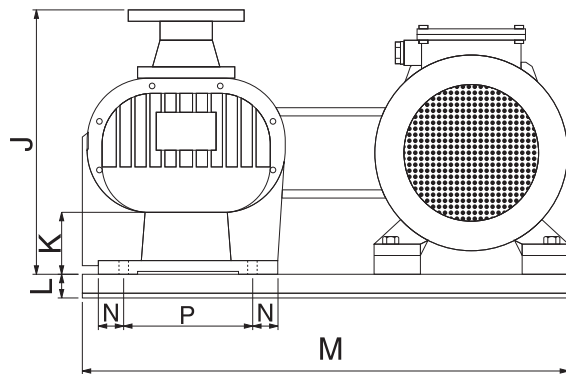
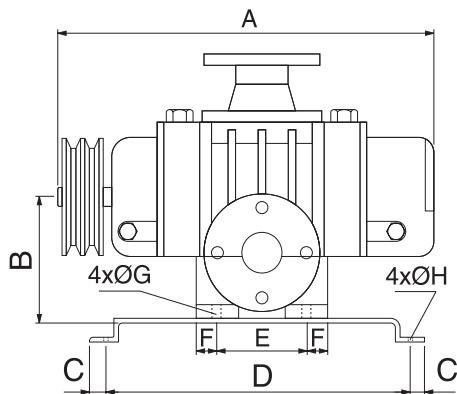


WORKING PRINCIPLES

Blower is used to transporting product vertically or horizontally by air with high flow and low pressure.





Type	Dimensions (mm)														Weight (kg)
	A	B	C	D	E	F	ØG	ØH	J	K	L	M	N	P	
GLT 050	510	165	15	380	125	15	15	15	360	90	40	550	15	200	200
GLT 065	570	165	15	380	200	15	15	15	360	95	40	550	15	210	250
GLT 080	660	220	17.5	400	190	25	17	15	400	102	75	750	25	250	365
GLT 100	785	220	17.5	400	290	25	17	15	400	115	75	750	25	250	510
GLT 125	925	310	22.5	555	320	25	21	19	515	155	100	1000	25	350	765
GLT 150	1035	310	22.5	555	45	25	21	19	515	155	100	1000	25	350	500
GLT 200	1020	360	32.5	685	270	40	23	23	650	187	125	1400	40	550	810