

PLC Controlled Extraction Scales-Tubex Type 40-80-120 Lt.



Excellent Milling Properties...

GRK

GENERAL FEATURES:

Grain flow rate, sufficient for preventing vibration occurring during product discharging cycle, is accurately (0.3 %) measured in kg per hour by means of extraction rate scales with 3 loadcells.

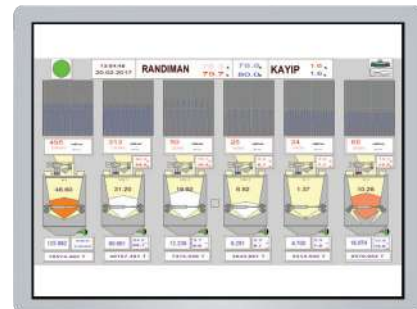
The extraction rate control unit is used for weighing products such as wheat, flour, bran etc. It provides continuous control of product yield rates.

The Extraction rate scales operation starts with the product filling the measuring-container. The product enters the container under control by means of the flap which controls access to the container. The measuring process is carried out, and the stabilization time controlled by load cells located at three points on the measuring container. When the required level is reached the upper flap is closed. On completion of the measuring process, the measured product is released to the line via the opening flaps located under the container.

Reports can be taken in hourly, 8 hourly, daily, weekly, monthly and yearly periods. In the event of a fault, remote access can be provided via the internet to intervene malfunctions.

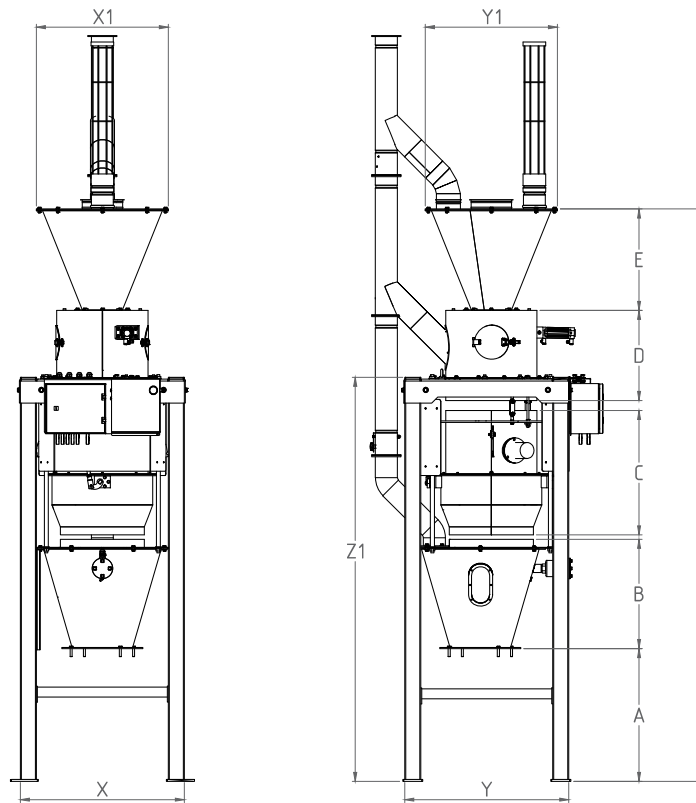


PLC Controlled Extraction Scales-Tubex Type 40-80-120 Lt.



PLC Controlled Extraction Scales-Tubex Type 40-80-120 Lt.

Product Data Sheet



TECHNICAL FEATURES

Product Code	A	B	C	D	E	Y	Y1	Z	X	X1
GRK-40	100	1250	1000	420	850	1870	1200	3620	1200	1120
GRK-80	50	1500	1000	420	1100	1870	1300	4070	1300	1280
GRK-120	160	1650	1470	420	1500	1870	1600	5200	1565	1525

CAPACITY

Product Code	Product	Liter (Lt)	Wheat (Ton/Hour)	Flour (Ton/Hour)	Bran (Ton/Hour)	Aspiration (m ³)	Air Supply (Bar)	Weight (Kg)
GRK-40	Wheat - Flour Bran	40	2-8	0-5	0-3	8	5 - 6	230
GRK-80	Wheat - Flour Bran	80	3-15	1-10	1-5	10	5 - 6	240
GRK-120	Wheat - Flour Bran	120	5-28	4-15	2-10	12	5 - 6	265