

# PLC Controlled Extraction Scales 30/60/100/250 Lt.



*Excellent Milling Properties...*

## GRK

### GENERAL FEATURES:

Grain flow rate, sufficient for preventing vibration occurring during product discharging cycle, is accurately ( 0.3 %) measured in kg per hour by means of extraction rate scales with 3 loadcells.

The extraction rate control unit is used for weighing products such as wheat, flour, bran etc. It provides continuous control of product yield rates.

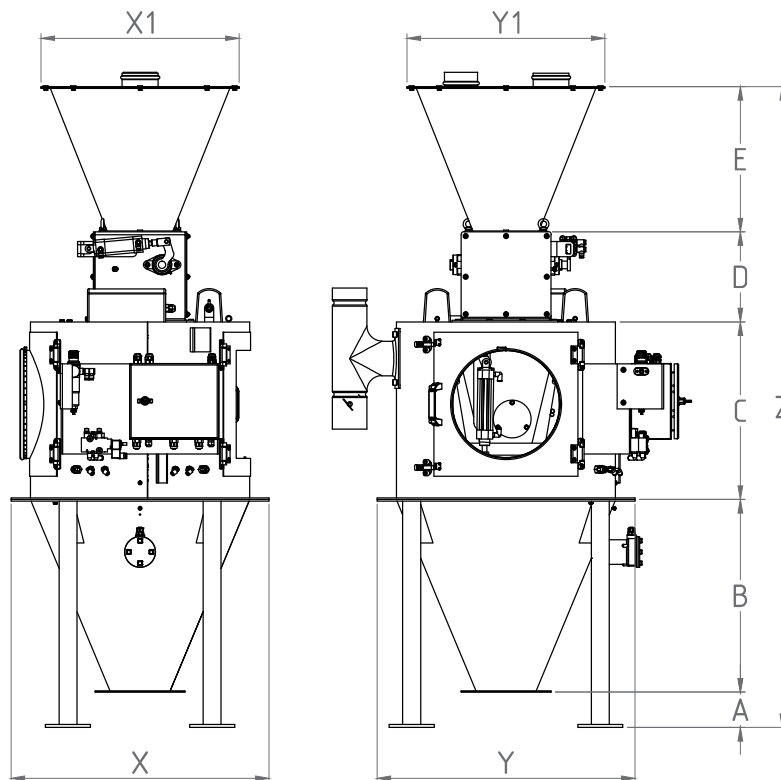
The Extraction rate scales operation starts with the product filling the measuring-container. The product enters the container under control by means of the flap which controls access to the container. The measuring process is carried out, and the stabilization time controlled by load cells located at three points on the measuring container. When the required level is reached the upper flap is closed. On completion of the measuring process, the measured product is released to the line via the opening flaps located under the container.

Reports can be taken in hourly, 8 hourly, daily, weekly, monthly and yearly periods. In the event of a fault, remote access can be provided via the internet to intervene malfunctions.



# PLC Controlled Extraction Scales 30/60/100/250 Lt.

## Product Data Sheet



### TECHNICAL FEATURES

Product Code	A	B	C	D	E	Y	Y1	Z	X	X1
GRK-30	120	640	590	300	485	860	660	2135	860	660
GRK-60	120	640	690	300	485	930	660	2235	930	660
GRK-100	110	750	760	300	485	1030	660	2405	1030	660
GRK-250	140	110	930	360	815	1400	1000	3345	1400	1000

### CAPACITY

Product Code	Product	Liter (Lt)	Wheat (Ton/Hour)	Flour (Ton/Hour)	Bran (Ton/Hour)	Aspiration (m <sup>3</sup> )	Air Supply (Bar)	Weight (Kg)
GRK-30	Wheat - Flour Bran	30	2 - 5	0 - 3	0 - 1,5	8	5 - 6	255
GRK-60	Wheat - Flour Bran	60	3 - 10	1 - 6	1 - 3	10	5 - 6	310
GRK-100	Wheat - Flour Bran	100	5 - 25	4 - 15	2 - 6	12	5 - 6	360
GRK-250	Wheat - Flour Bran	250	10 - 50	6 - 30	3 - 15	12	5 - 6	585