

Turbo Sifter *GTSF*



Excellent Milling Properties...

WORKING PRINCIPLES

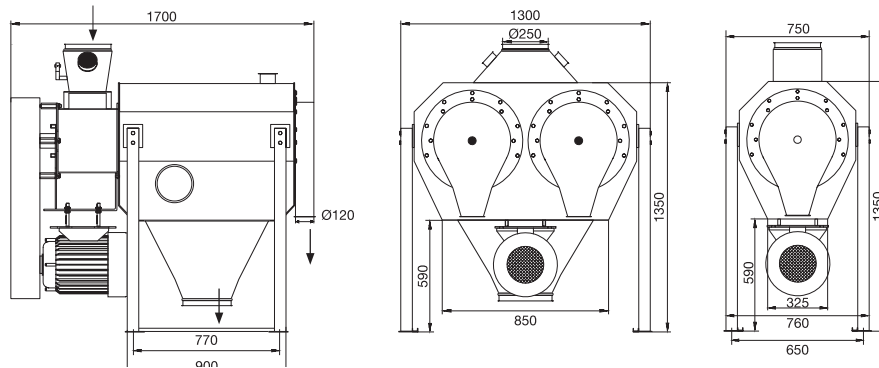
Turbo sifter is designed and adapted for a secondary sifting of flours, before the bagging or packing operation.

FEATURES

- Maximum Hygiene
- Maximum Simplified Using
- High Efficiency



Product Data Sheet



Type	Technical Features							Weight (kg)
	Sieve Size in (\varnothing mm)	Capacity (t/h)	Rotor (rpm)	Air Required (m^3/min)	Volume (m^3)	Power (kw)		
						(kw)	(rpm)	
GTSF 055	1.5	12	600	15	1.8	5.5	1450	360
	2.5	20						
	3	25						
GTSF 110	1.2	15	600	25	3.2	11	1450	1490
	1.5	24						
	2	30						
	2,5	40						
	3	50						