

Low Pressure Air Filter Conical Bottom Flat-Based

GEF

Gmach

Excellent Milling Properties...

WORKING PRINCIPLES

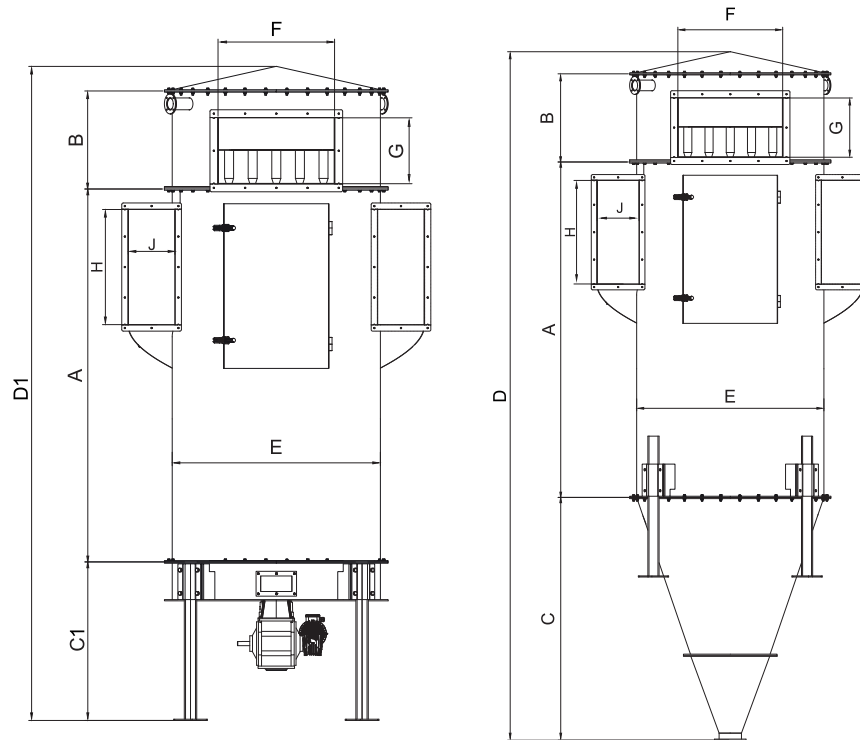
It is applied with advantage for achieving efficient separation of dust particles from dust and air moisture.

FEATURES

- Filters Can Be Used As Aspiration Or AsTop Filters
- Bag Cleaning By Low Pressure System
- Highest Cleaning Ratio
- Maximum Cleaning Capacity
- Less Air Consumption For Bag Cleaning



Product Data Sheet



Type	GEF 18				GEF 20				GEF 26				GEF 39				GEF 52				GEF 78				GEF 104				
Bag Length (mm)	1200	1800	2400	3000	1200	1800	2400	3000	1200	1800	2400	3000	1200	1800	2400	3000	1200	1800	2400	3000	1200	1800	2400	3000	1200	1800	2400	3000	
Number of Sleeves (pcs.)	18				20				26				39				52				78				104				
Filter Area (m ²)	7.6	11.5	15.5	18	8.5	12.7	17.2	20	11	16.6	22.4	26	16.5	25	33.5	39	22	33.3	44.7	52	33	50	67	78	44	66	89	104	
DIMENSIONS (mm)	A	1200	1800	2400	3000	1200	1800	2400	3000	1200	1800	2400	3000	1200	1800	2400	3000	1200	1800	2400	3000	1200	1800	2400	3000	1200	1800	2400	3000
	B	625	625	625	625	625	625	625	625	625	625	625	625	625	625	625	625	625	625	625	625	625	625	625	625	625	625	625	625
	C	1200				1280				1390				1735				1960				2355				2600			
	C1	820				820				820				820				820				820				820			
	D	3145	3745	4345	4945	3325	3925	4525	5125	3353	3953	4553	5153	3725	4325	4925	5525	3950	4550	5150	5750	4350	4950	5550	6150	4595	5195	5795	6395
	D1	2765	3365	3965	4565	2815	3415	4015	4615	2815	3415	4015	4615	2815	3415	4015	4615	2815	3415	4015	4615	2815	3415	4015	4615	2815	3415	4015	4615
	ØE	1000				1060				1140				1340				1500				1840				2020			
	F	450				450				596				750				950				1400				1900			
	G	424				424				424				424				424				424				424			
	H	590				590				586				740				740				884				890			
J	215				215				266				300				356				494				544				
Weight (Kg)	480	540	590	650	544	610	675	740	585	655	725	795	890	995	1100	1215	1115	1240	1365	1500	1615	1790	1965	2150	2120	2375	2630	2885	