

Infestation Destroyer

Vertical Entoleter



Excellent Milling Properties...

WORKING PRINCIPLES

The action of the machine disintegrates any insects, eggs or larvae present in the flour. Allowing flour to be safely stored for longer periods, particularly hot climates.

FEATURES

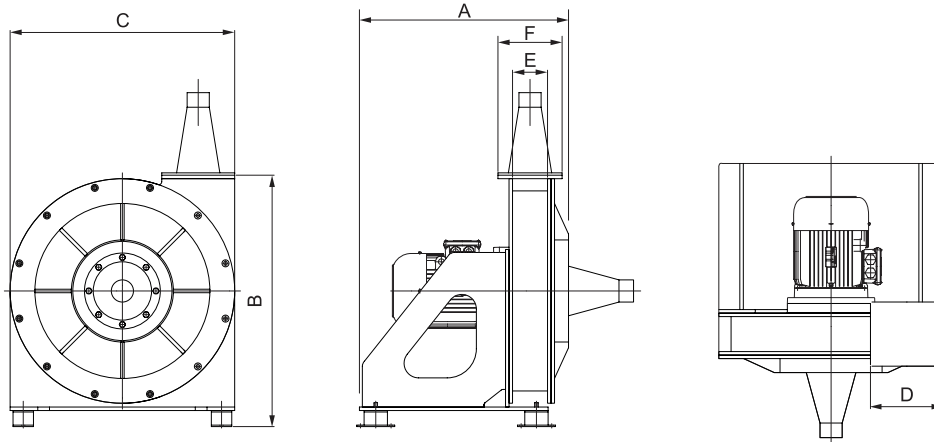
- Most Extreme Cleanliness
- Long Life
- Silent Operation
- High Productivity
- Minimum Energy Consumption

GID

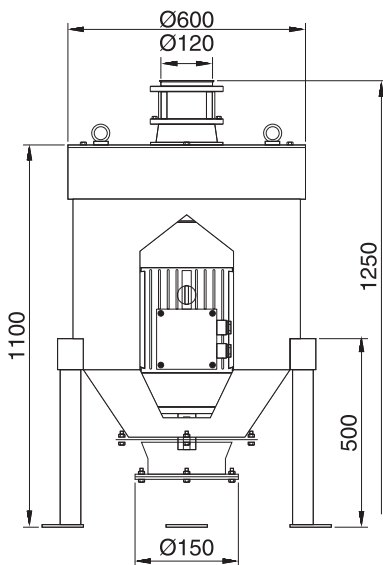


GDLK



Infestation Destroyer


Type	Technical Features		Dimensions(mm)						Weight(kg)
	Capacity(t/h)	Power (kW)	A	B	C	D	E	F	
GID 110	0.5	5.5-11	720	910	770	250	120	220	310-355
GID 185	5-10	11-18.5	820	910	770	250	150	250	395
GID 370	10-22	18.5-37	940	910	770	250	190	290	450-520

Vertical Entoleter


Type	Technical Features		Weight(kg)
	Capacity(t/h)	Power (kW)	
GDLK 055	3	5.5	130
GDLK 075	5	7.5	137
GDLK 110	6	11	13
GDLK 150	7	15	210
GDLK 185	8	18.5	230
GDLK 200	10	22	255