

# Degerminator

GDDG



*Excellent Milling Properties...*

## WORKING PRINCIPLES

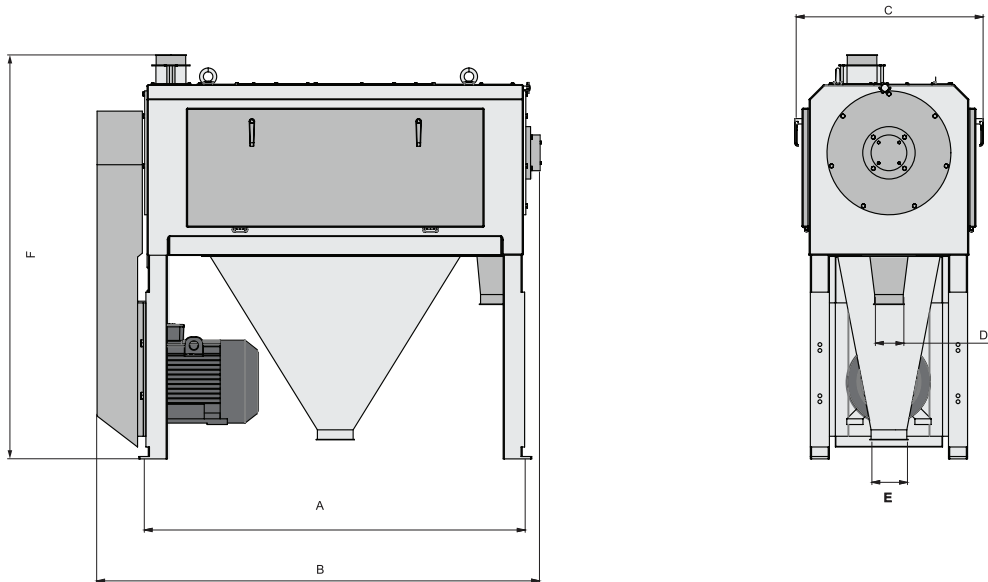
It separates germ from the maize. The collision and friction between the kernels removes the structure of corn endosperm. Specially designed beaters and precise system of screen mounting are integrated.

## FEATURES

- Compact Design
- Low Operation Costs
- Uniform Product Quality
- Low Fat Content For Degermination



**Product Data Sheet**



Type	Technical Features								Weight (kg)
	Capacity (t/h)	Power (kw)	A	B	ØC	D	ØE	F	
GDDG 2540	3600	11 - 8,6	1600	1860	790	120	150	1700	320
	5400	15 - 12,6							