

## WORKING PRINCIPLES

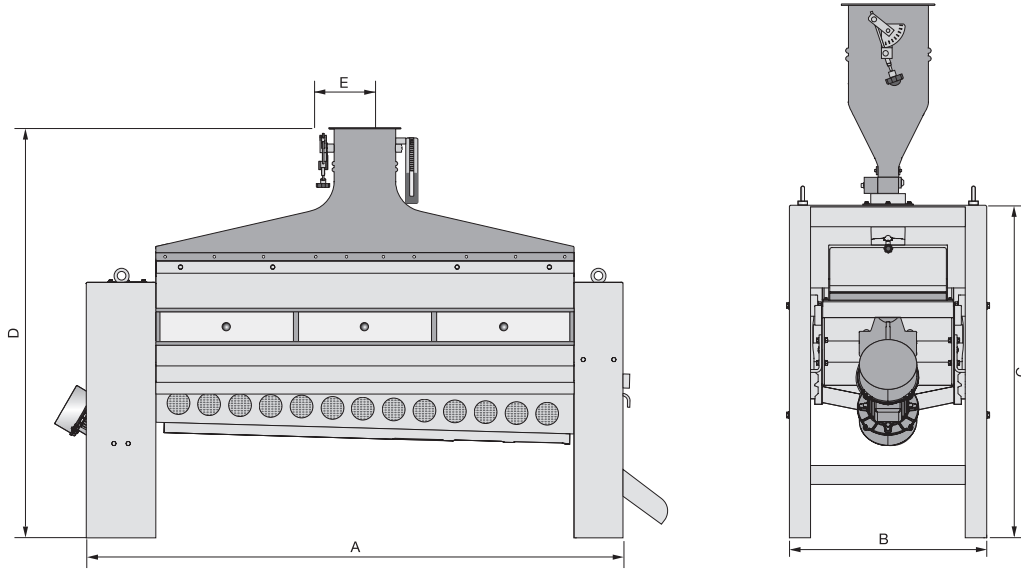
A coarse separation between the maize germ and the degerminated maize, takes place in the concentrator. This separation is achieved by exploiting the different densities of the maize germ and the degerminated maize.

## FEATURES

- Durable Long Life
- Robust Construction
- Cold / Silent Running
- Low Specific Power Consumption



**Product Data Sheet**



Type	Technical Features			Dimensions(mm)					Weight (kg)
	Capacity (t/h)	Power (kW)		A	B	C	D	ØE	
		kW	Rpm						
GKST 45/200	4.5	2 x 0.2	600	2600	740	1250	2100	300	400